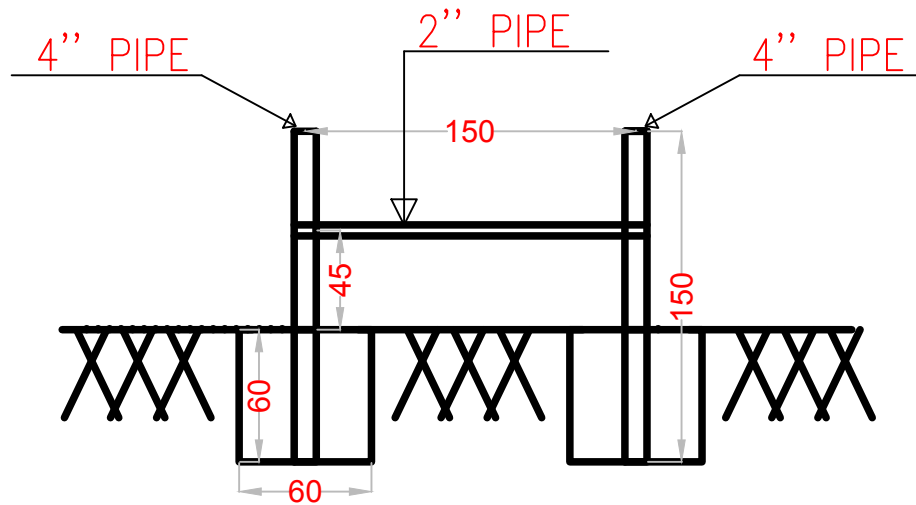


# SEPTIC TANK MANHOLE PROTECTION WALL SIDE VIEW



TYPE OF MATERIALS: STEEL PIPES 3/14" WALL THICKNESS

**DRAWING TITLE:**  
SEPTIC TANK MANHOLE PROTECTION WALL  
SIDE VIEW

**PROJECT**  
SEPTIC TANK MANHOLE

**CLIENT**  
WEST BANK WATER DEPARTMENT

**DESIGNED BY:**  
ENG.MOHAMMED ABU AYYASH

**CHECKED BY:**  
ENG.ZAIDAN HURAINI

**DATE:**18-06-2017

**SHEET NO. :** 2/2

**REV.0**